

# 4.14mm(.163") Wire To Wire Connector



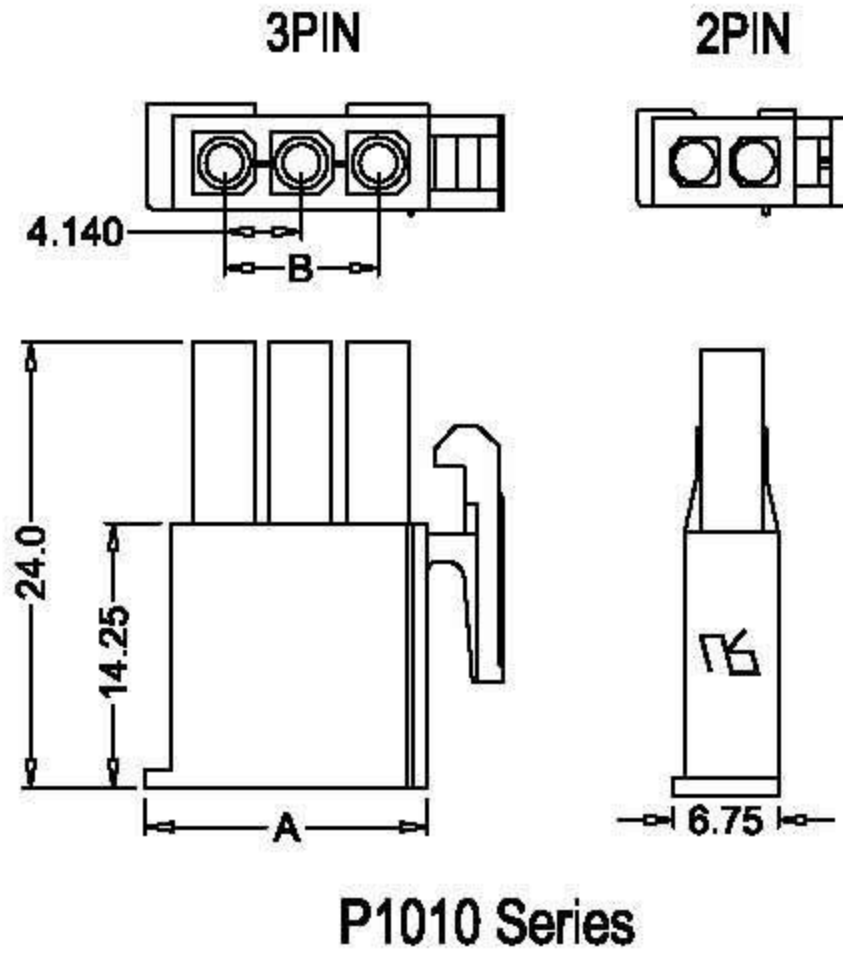
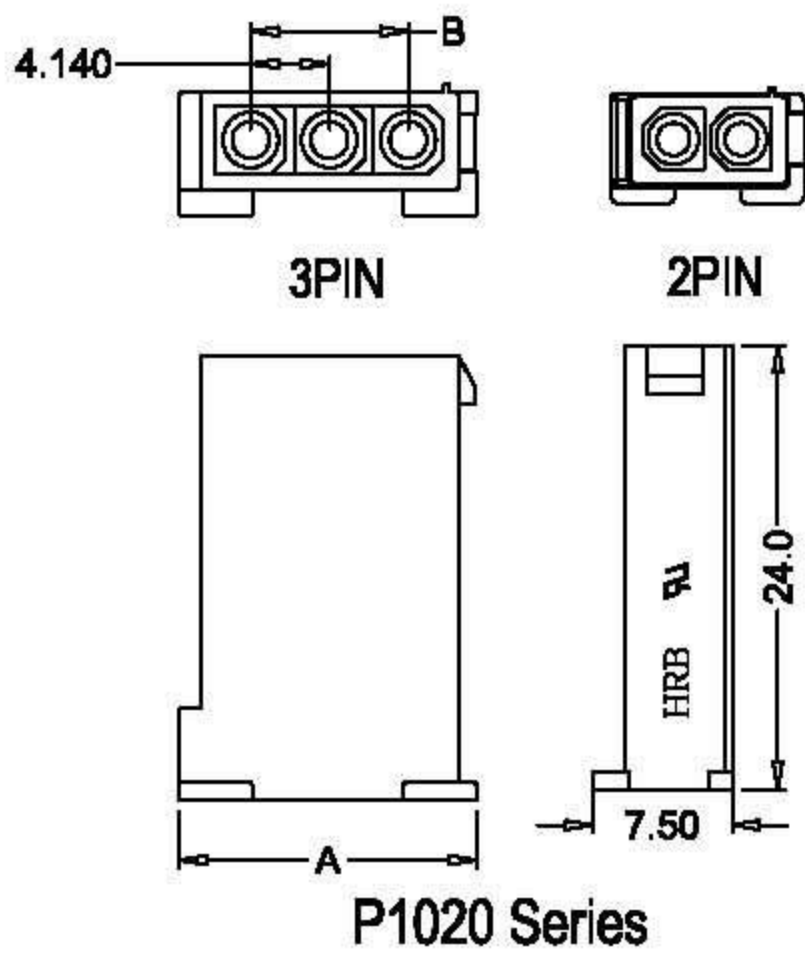
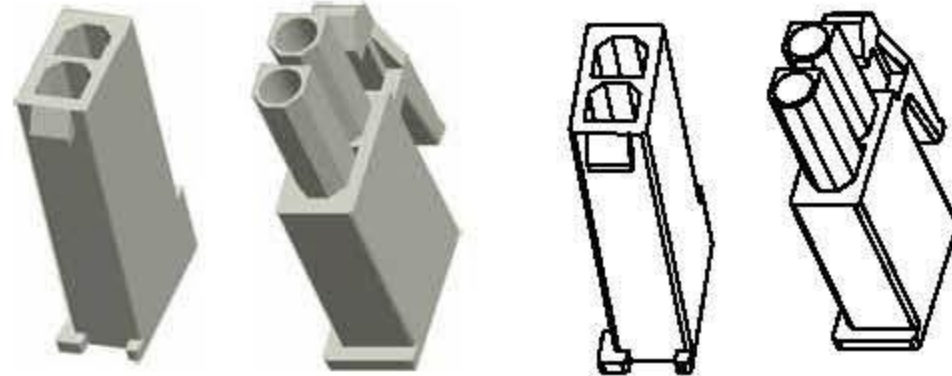
Connector & Terminal

Shenzhen Hongru Connector Co., Ltd

Email: yukyli@hrb-connector.com  
 Tel: 86-0755 2709 6669  
 Fax: 86-0755 2709 2392  
 Skype: haiyuncheng-vivian  
 Mobile(whatsapp): 86-186 8112 3590  
 Website: <http://www.hrb-connector.com>

**SPECIFICATIONS:**

- Current Rating: 7A AC, DC
- Voltage Rating: 600V AC, DC
- Operating Temperature: V0: -40°C ~ +105°C  
 V2: -25°C ~ +85°C
- Contact Resistance: 10mΩ max.
- Insulation Resistance: 1000MΩ Min.
- Withstanding Voltage: 1500V AC/minute
- Material: Nylon66 UL94V-2/UL94V-0
- File No: E304945
- Terminal In Housing Retention Force Requirement: 4.0kg (Min.)
- Wire Size: AWG#18~#26



## Ordering Information And Dimensions

Part NO.		Circuits	Dimensions	
TYP UL94V-2	TYP UL94V-0		Dim:A	Dim:B
P1020-1x2-N-H	P1020-1x2-W-H	2	11.85	4.14
P1020-1x3-N-H	P1020-1x3-W-H	3	15.00	8.28

Part NO.		Circuits	Dimensions	
TYP UL94V-2	TYP UL94V-0		Dim:A	Dim:B
P1010-1x2-N-H	P1010-1x2-W-H	2	10.80	4.14
P1010-1x3-N-H	P1010-1x3-W-H	3	15.95	8.28

