

4.14mm(.163") Wire To Wire Connector



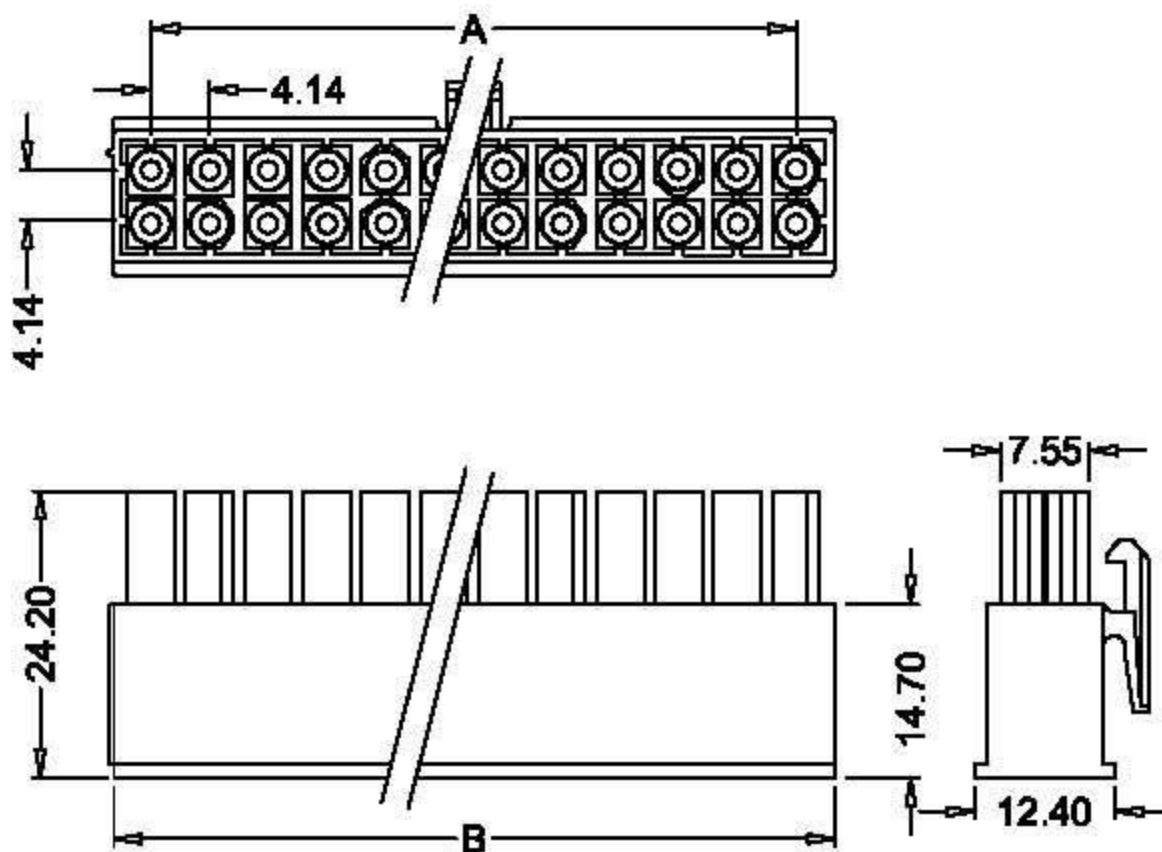
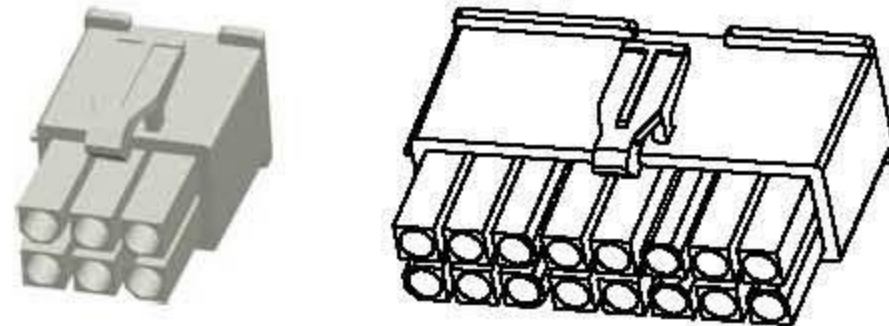
Connector & Terminal

SPECIFICATIONS:

- Current Rating:7A AC,DC
- Voltage Rating:600V AC,DC
- Operating Temperature:V0:-40°C~+105°C
V2:-25°C~+85°C
- Contact Resistance:10mΩ max.
- Insulation Resistance:1000MΩ Min.
- Withstanding Voltage:1500V AC/minute
- Material:Nylon66 UL94V-2/UL94V-0
- UL File No:E304945
- Terminal In Housing Retention Force Requirement:4.0kg (Min.)
- Wire Size:AWG#18~#26

Shenzhen Hongru Connector Co., Ltd

Email:yukyli@hrb-connector.com
Tel: 86-0755 2709 6669
Fax: 86-0755 2709 2392
Skype: haiyuncheng-vivian
Mobile(whatsapp): 86-186 8112 3590
Website: http://www.hrb-connector.com



Ordering Information And Dimensions

Part NO.		Circuits	Dimensions		Part NO.		Circuits	Dimensions	
TYP UL94V-2	TYP UL94V-0		Dim:A	Dim:B	TYP UL94V-2	TYP UL94V-0		Dim:A	Dim:B
P1010-2x2-N-H	P1010-2x2-W-H	4	4.14	10.22	P1010-2x8-N-H	P1010-2x8-W-H	16	28.98	35.06
P1010-2x3-N-H	P1010-2x3-W-H	6	8.28	14.36	P1010-2x9-N-H	P1010-2x9-W-H	18	33.12	39.20
P1010-2x4-N-H	P1010-2x4-W-H	8	12.42	18.50	P1010-2x10-N-H	P1010-2x10-W-H	20	37.26	43.34
P1010-2x5-N-H	P1010-2x5-W-H	10	16.56	22.64	P1010-2x11-N-H	P1010-2x11-W-H	22	41.40	47.48
P1010-2x6-N-H	P1010-2x6-W-H	12	20.70	26.78	P1010-2x12-N-H	P1010-2x12-W-H	23	45.54	51.62
P1010-2x7-N-H	P1010-2x7-W-H	14	24.84	30.92					

